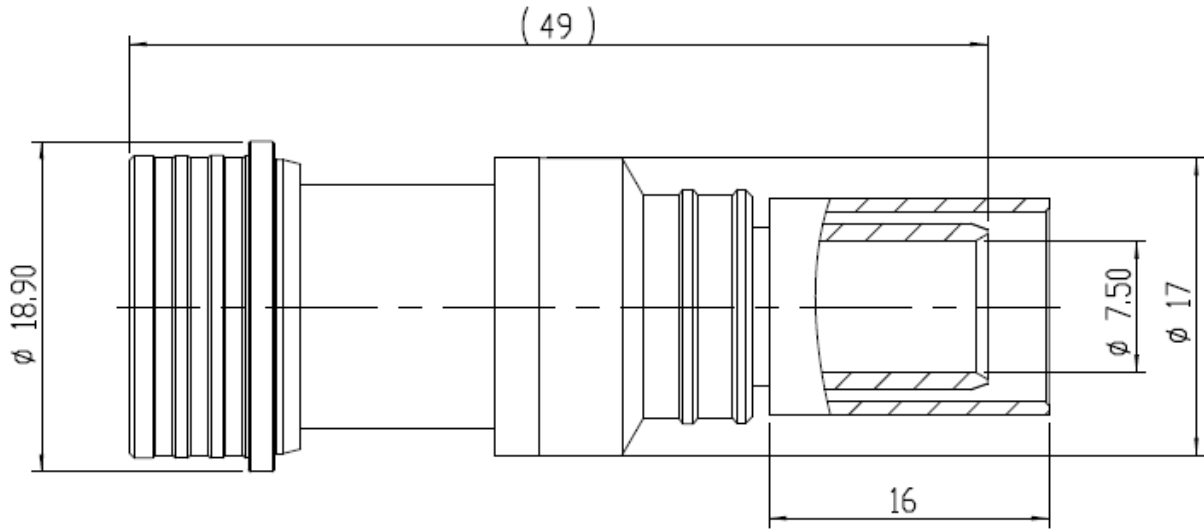


NOTICE OF PROPRIETARY RIGHTS THIS DOCUMENT CONTAINS CONFIDENTIAL TECHNICAL DATA, INCLUDING TRADE SECRETS, PROPRIETARY TO TIMES MICROWAVE SYSTEMS. DISCLOSURE OF THIS DATA IS EXPRESSLY CONDITIONED UPON YOUR ASSENT THAT ITS USE IS LIMITED TO USE WITHIN YOUR COMPANY ONLY. ANY OTHER USE IS STRICTLY PROHIBITED WITHOUT THE PRIOR WRITTEN CONSENT OF TIMES MICROWAVE SYSTEMS.

SYM	REVISION DESCRIPTION	DFTM	DATE	APPD	DATE
A	RELEASED FOR PRODUCTION	N.N.N	1/9/14	J.D.B.	1/10/14



I. Electric Performance
 Nominal Impedance(Ω): 50
 Frequency Range: DC-3GHz
 VSWR: ≤ 1.2
 Insert Loss: ≤ 0.1
 Insulation resistance ($M\Omega$): ≥ 5000
 Proof voltage (V): 1500
 Conductor resistance ($m\Omega$): outer conductor < 0.4
 inner conductor < 0.8

II. Mechanical Performance
 Tensile force(cable-connector) 400N
 Torsion(cable-connector) 2N.m

III. Material and plating:
 Inner conductor: Brass
 Outer conductor: Brass
 Insulator: PTFE
 Plating Au 1.27 μ m
 Plating Copper-tin-zinc 2 μ m

IV. Environment
 Temprange -40 $^{\circ}$ ~+85 $^{\circ}$ C
 Weather standard IEC 60068 40 / 085/ 21
 Thermal shock IEC 60068-2-14-Na
 Vibration IEC 60068-2-6-Fc
 Shock IEC 60068-2-27
 Weatherproofing standard IP67
 RoHS compliant

V. Assembly: inner conductor installed and outer conductor crimped

MATL:	UNLESS OTHERWISE SPECIFIED		DFTM. N. N. N	TIMES MICROWAVE SYSTEMS			
	ALL DIMENSIONS ARE IN mm		DATE 1/9/14				
USED ON: O-O			CHKD. J. D. B.	EZ-400-QNM-X CONNECTOR, QNM for LMR-400			
			DATE 1/10/14				
SCALE: ~	DWG. SIZE A	DO NOT SCALE DRAWING	CODE IDENT 68999	DATE 1/10/14	SHEET 1 of 1	SD3190-2979	REV A